

PNEUMATIC SCALING HAMMER - 1 PISTON TYPE

I.CO. CODE 800-0 New Type X2

OPERATION:

Scabblers are rugged dependable tools designed to give you years, of satisfactory service. Follow the instructions mentioned here to enhance life and performance of your scabblers.

DAILY BEFORE OPERATING:

Disconnect and pour in 1 to 2 ounces of recommended oil into the tool and reconnect hose after blowing out any accumulated dirt in the hose line before connection.

LUBRICATION REQUIREMENTS:

Always install a line lubricator on the air line as close to the tool as possible. A Filter Regulator Lubricator unit (FRL) is strongly recommended. Keep the lubricator bowl topped up with recommended grade of oil and check that the oil is reaching the tool. Running the tool without lubrication is likely to cause damage to the components causing premature replacement.

RECOMMENDED LUBRICANTS:

	ABOVE 27°C - 80°F	5°C-27°C 80°F	40°F-	BELOW 5°C 40°F
SHELL	Toona R. 72	Toona R. 41		Toona R.27
MOBIL	Almo 529	Almo 527		Almo 525
ESSO	----	Arox.EP.65		Arox EP.45
CALTEX	Rando Oil 100	Rando Oil 100		Rando Oil 46
CP	----	----		Airolene Tool Oil
TEXACO	Regal oil F (R&O)	Regal Oil PE (P&E)		Regal Oil PE (R&O)
DALTRON	Silkolene 881	Silkolene 548/T		Silkolene 733
BURMAH CASTROL	Castrol RD Oil 3	Castrol Rd Oil Light		Megna SPX
DUCKHAM	Garnet 7	Garnet 6		Zero Fio 5
STERNOL	Merlin 87	Merlin 71		Merlin 54
PETROFINA	Purifoc 53	Purifoc 46		Purifoc 32
CHEVRON	Vistac Oil 18X	Vistac Oil 19X		Vistac Oil 9X
IND OIL	Servo Spyn - 22	----		----

SAFETY INSTRUCTIONS:

Always wear suitable protection such as 'eye goggles' ear muffs' safety shoes etc. to safeguard against possibility of flying particles.

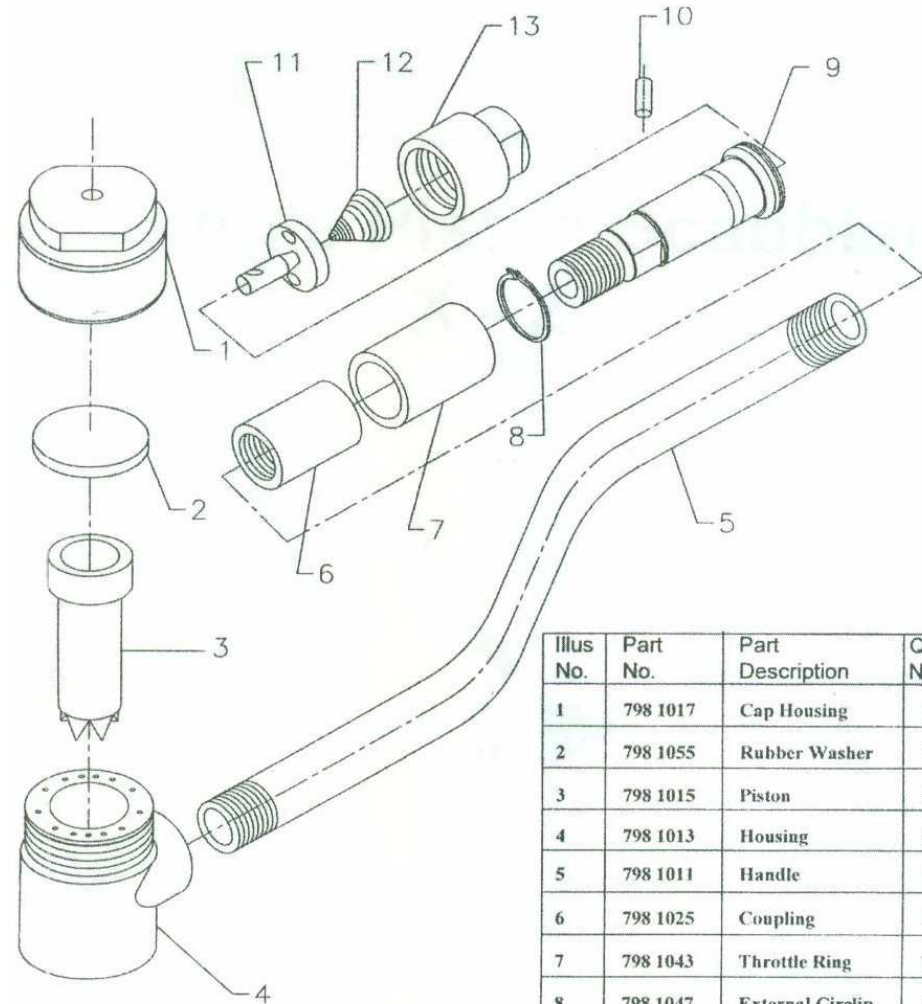
Never operate the tool over the rated 7 bar air pressure. Do not exert excessive pressure against the work surface. Keep hoses in good condition. Check hoses for signs of wear cracks & bulges and ensure that they are secure. Accidental disconnection while hose is pressurized makes the hose whip and can be a safety hazard.

AIR SUPPLY:

The Scabblers work best at 5 to 7 bar air pressure. The air should be clean, dry and lubricated. Install a FRL unit as close to the tool as operation will permit.

MAINTENANCE:

To disassemble X - 2 Single Piston Scabblers, Hold Housing (4) in a soft jaw vice and unscrew cap housing (1), Pull out RUBBER WASHER (2) and piston (3) Unless necessary do not separate housing (4) and handle (5) unscrew the complete throttle valve assy from the handle (5) and if required further disassemble valve assembly by removing coupling (6). Hold spanner across flats of control body (9) and unscrew cap control body (13). Take out taper spring (12). With help of expander remove External circlip (8), slide out throttle ring (7), pull out cylindrical pin (10) and take out Rotary Valve (11). Wash components in solvent and inspect for wear. Replace worn components. Throttle valve assy is usually replaced as an assembly. Coat components with light oil and reassemble carefully in reverse sequence.



Illus No.	Part No.	Part Description	Qty No.
1	798 1017	Cap Housing	1
2	798 1055	Rubber Washer	1
3	798 1015	Piston	1
4	798 1013	Housing	1
5	798 1011	Handle	1
6	798 1025	Coupling	1
7	798 1043	Throttle Ring	1
8	798 1047	External Circlip	1
9	798 1019	Control Body	1
10	798 1049	Cylindrical Pin	1
11	798 1045	Rotary Valve	1
12	798 1051	Taper Spring	1
13	798 1021	Cap Control Body	1