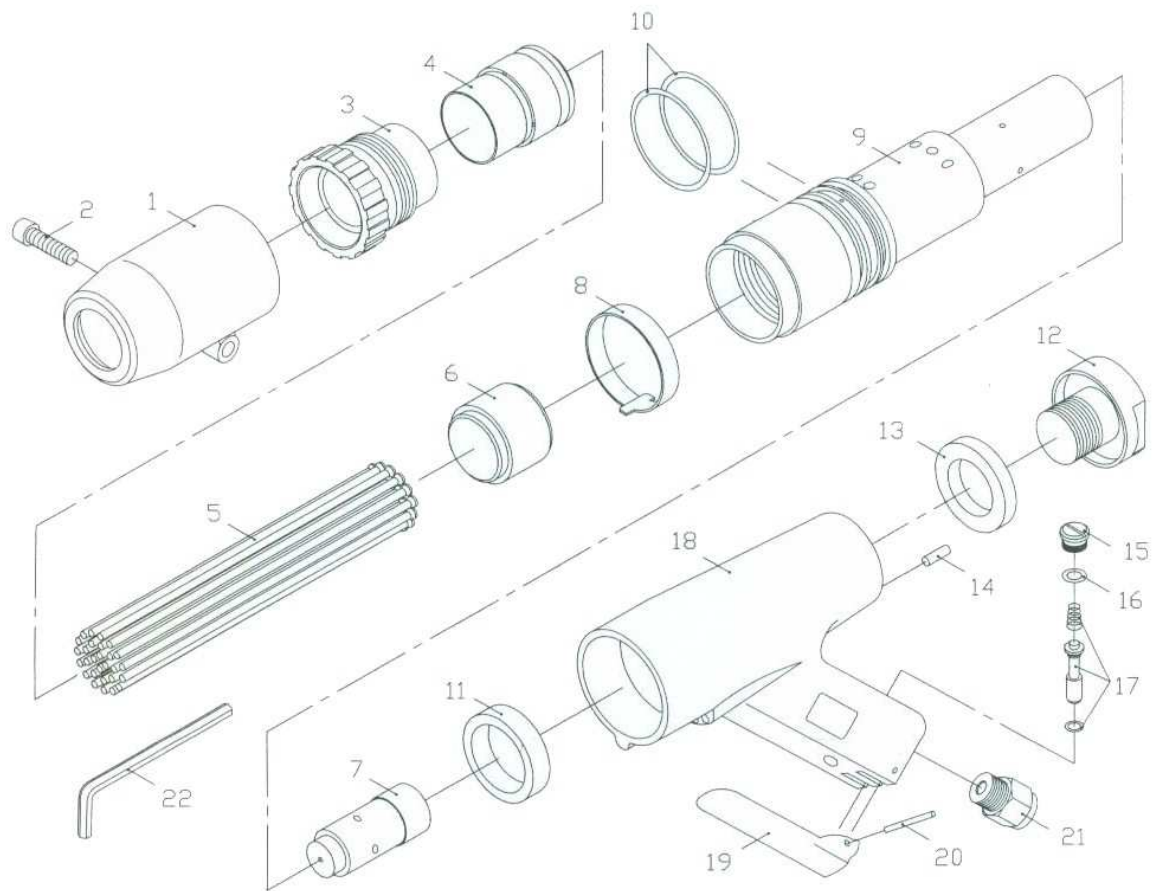


PNEUMATIC NEEDLE CHISEL TYPE "JEX 28"

I.CO. CODE 12200-28E



SPECIFICATIONS :

* BLOW PER MINUTE ----- 3500 BPM
 * AIR CONS. ----- 12 CFM
 * AIR PRESSURE ----- 90 PSI
 * AIR INLET ----- 3/8" PT(NPT)

* PISTON SIZE ----- 28x26x56
 * WIGHT ----- 3.5 KG
 * HOSE SIZE ----- 3/8" ID

REF NO.	PARTS NO.	DESCRIPTION	Q'TY	REF NO.	PARTS NO.	DESCRIPTION	Q'TY
1	93A365	ROUND NEEDLE GUIDE ASS'Y	1	10	11A993	"O" RING (d50.39xW3.53)	2
2	00A045	HEX SOC. HEAD BOLT	1	11	01A474	FRONT PU WASHER	1
3	01B464	STOP RING	1	12	90A452	REAR BOLT ASS'Y	1
4A	01A461	NEEDLE SUPPORTER (3 MM)	1	13	01A475	REAR PU WASHER	1
4B	01A462	NEEDLE SUPPORTER (4 MM)	1	14	01A478	CYLINDER LOCK PIN	1
4C	01A470	NEEDLE SUPPORTER (2 MM)	1	15	00A398	VALVE CAP	1
5A	00A341	NEEDLE (Ø3 X 180MM)	28	16	00A389	"O" RING (d7.6xW2.62)	1
5B	00A402	NEEDLE (Ø4 X 180MM)	14	17	90A037	THROTTLE VALVE ASS'Y	1 SET
5C	01A471	NEEDLE (Ø2 X 180MM)	66	18	90C410	HOUSING	1
6	00A399	THROTTLE ANVIL	1	19	01A557	THROTTLE LEVER	1
7	00A395	PISTON	1	20	01A802	SPRING PIN (Ø3X28L)	1
8	01A466	SAFETY BAND	1	21	00A864	AIR INLET	1
9	01B463	CYLINDER	1	22	00A170	HEX. WRENCH (6 MM)	1