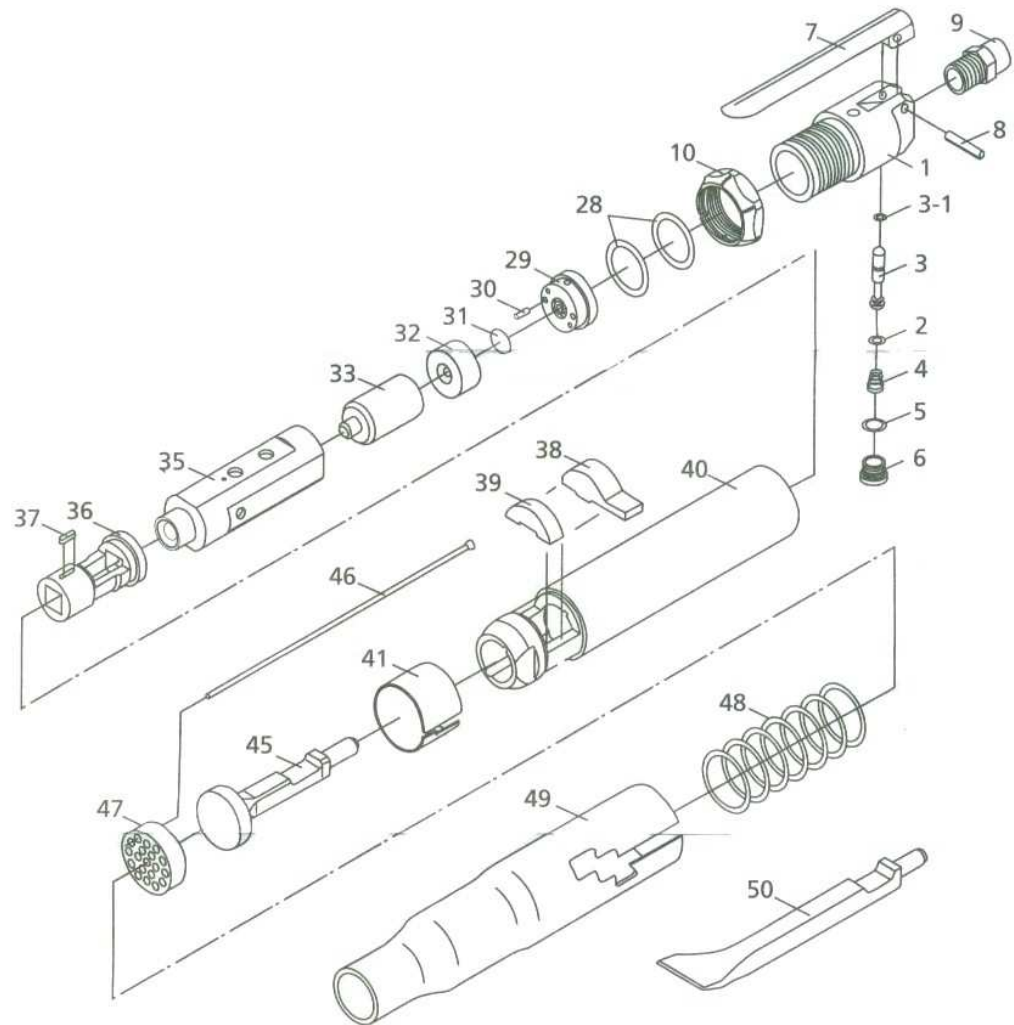


PNEUMATIC NEEDLE CHISEL STRAIGHT TYPE I.CO. CODE 12200-L



SPECIFICATIONS:

* BLOW PER MINUTE ----- 4600 BPM
 * NEEDLE SIZE ----- 3 MM
 * AIR PRESSURE ----- 90 PSI
 * AIR INLET ----- 1/4" PT(NPT)

* PISTON SIZE ----- 25.4X43.5 MM
 * STROKE ----- 1-1/8"
 * HOSE SIZE ----- 3/8" ID

REF NO.	PARTS NO.	DESCRIPTION	Q'TY	REF NO.	PARTS NO.	DESCRIPTION	Q'TY
1	730213	BACKHEAD	1	32	729606	FRONT VALVE BLOCK	1
2	729591	"O" RING(d3.8xW1.9)	1	33	730219	PISTON	1
3	730214	THROTTLE VALVE	1	35	731008	BARREL SLEEVE	1
3-1	730214-1	"O" RING(d3.3xW1.5)	1	36	731009	NOSE	1
4	730215	SPRING	1	37	731010	KEY	1
5	1008365	"O" RING(d8.5xW2.4)	1	38	730220	DRIVER RETAINER	1
6	730216	VALVE CAP	1	39	730221	RETAINER BUFFER	1
7	730218	LEVER	1	40	730223	BARREL	1
8	729538	SPRING PIN(Ø5X22.5L)	1	41	730222	RETAINER CLIP	1
9	729747	HOSE ADAPTER	1	45	730224	NEEDLE DRIVER	1
10	729597	LOCKING RING	1	46	730280	3MM NEEDLE SET(19)	19
28	730218	ALIGNMENT SHIM	2	47	730225	NEEDLE HOLDER	1
29	729608	REAR VALVE BLOCK	1	48	730226	SPRING	1
30	1012591	SPRING PIN(Ø3X14L)	1	49	730227	NEEDLE TUBE	1
31	729604	VALVE	1	50	730228	CHISEL	1