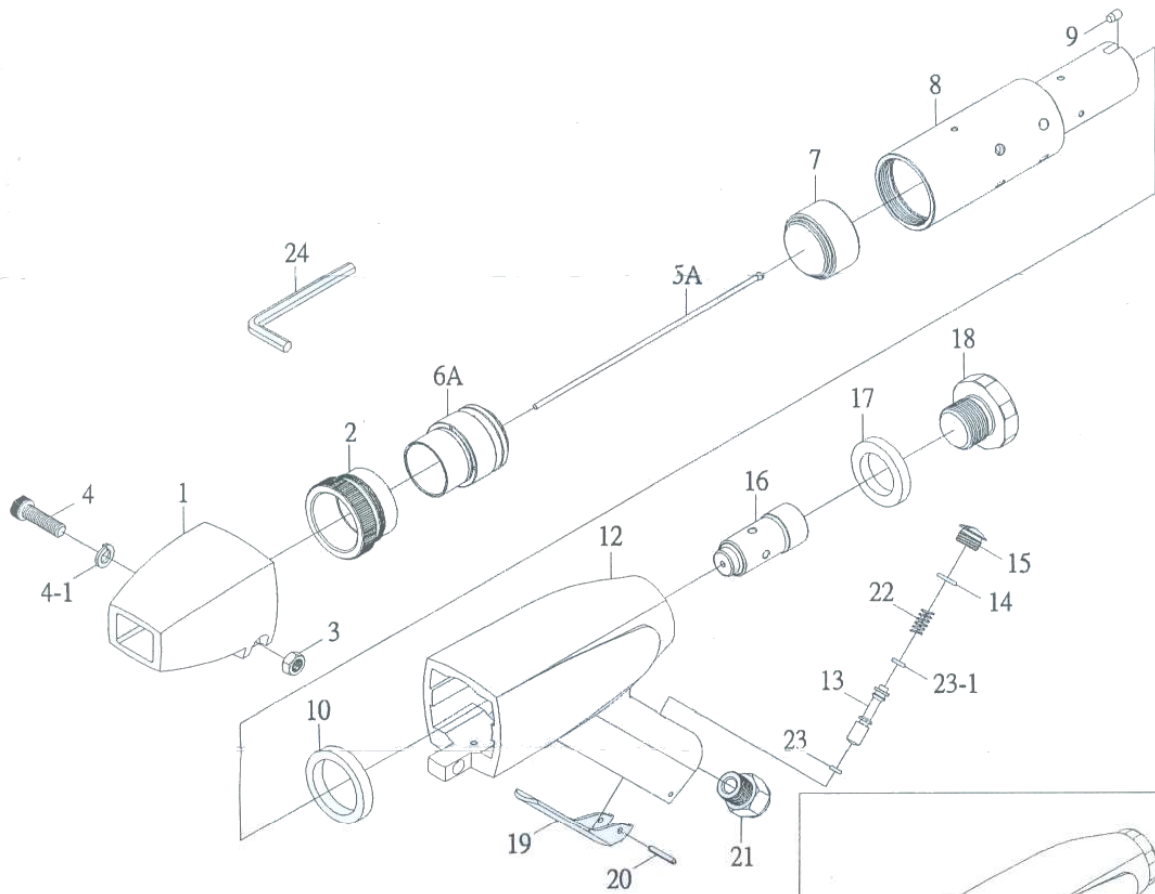
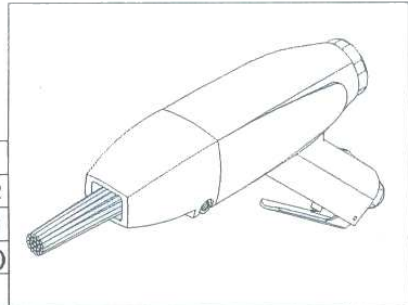


PNEUMATIC NEEDLE CHISEL TYPE "JEX 24"

I.CO. CODE 12200-23E



SPECIFICATION:	
*BLOW PER MINUTE-----3500BPM	*PISTON SIZE(mm)-----16×22×24×26.2
*AIR CONS-----10CFM	*WEIGHT-----2.8KG
*AIR PRESSURE-----90 PSI	*AIR INLET-----3/8"PT(NPT)
*HOSE SIZE-----3/8"ID	



REF. NO.	PART NO.	DESCRIPTION	QTY	REF. NO.	PART NO.	DESCRIPTION	QTY
1	022401	NEEDLE GUIDE ASS'Y	1	13	022413	THROTTLE VALVE	1
2	022402	LOCK RING	1	14	022414	*O*RING (d8.8×W1.9) (P9)	1
3	022403	NUT (5/16)	1	15	022415	VALVE CAP	1
4	022404	CAP HEAD SCREW (5/16"×1-1/4")	1	16	022416	PISTON	1
4-1	022404-1	WASHER (5/16")	1	17	022417	REAR WASHER	1
5A	022405A	3mm NEEDLE SET (∅3×180L)	23	18	022418	REAR PLUG	1
5B	022405B	2mm NEEDLE SET (∅2×180L)	53	19	022419	THROTTLE LEVER	1
6A	022406A	NEEDLE SUPPORTER (3mm)	1	20	022420	SPRING PIN (∅3×24L)	1
6B	022406B	NEEDLE SUPPORTER (2mm)	1	21	022421	AIR INLET	1
7	022407	THROTTLE ANVIL	1	22	022422	THROTTLE SPRING	1
8	022408	CYLINDER	1	23	022423	*O*RING (d3.8×W1.9) (P4)	1
9	022409	CYLINDER LOCK PIN (∅5×8L)	1	23-1	022423-1	*O*RING (d4.8×W1.9) (P5)	1
10	022410	FRONT WASHER	1	24	022424	HEX. WRENCH (6mm)	1
12	022412	HOUSHING SUB ASS'Y	1				